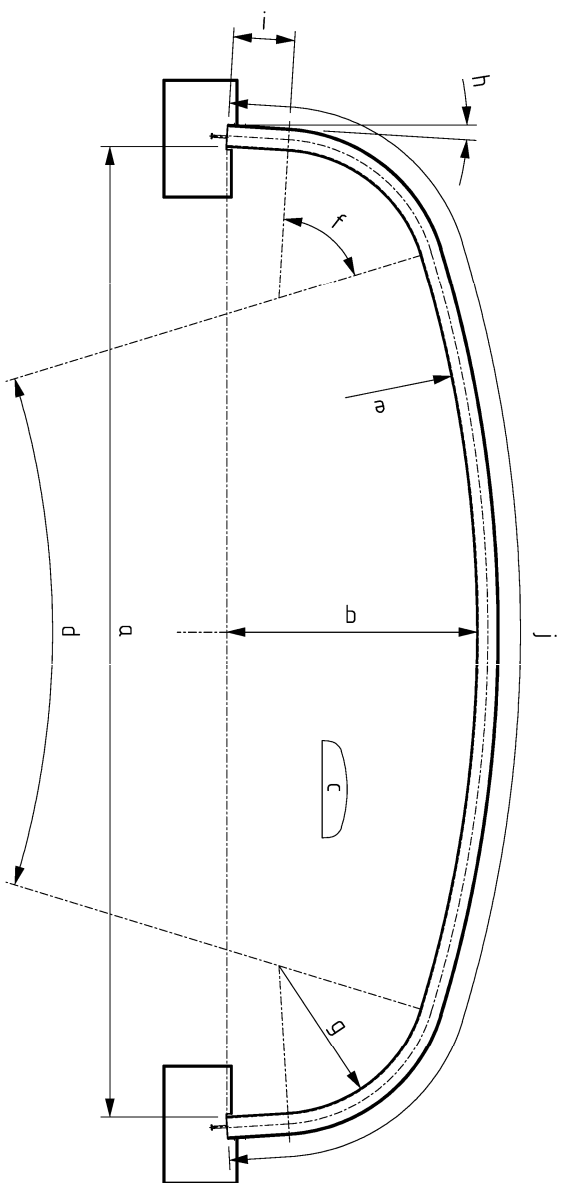


	1	2	3	4	5	6	7	8	9	10	11	12
	d	b	c	d	e	f	g	h	i	j		
TYPE	SPAN (mm)	RISE (mm)	END AREA (m ²)	CROWN ANGLE	CROWN RADIUS	HAUNCH ANGLE	HAUNCH RADIUS	SIDE ANGLE	SIDE LENGTH	TOTAL S		
BC-01	3170	180	3.1	7.35	8820	72.4	1016	14.0	4.07	11		
BC-02	3550	1420	4.3	9.97	8820	75.0	1016	10.0	5.59	13		
BC-03	3840	1465	4.9	12.59	8820	77.7	1016	6.0	5.09	14		
BC-04	3965	2210	7.4	9.97	8820	72.4	1016	12.7	14.23	17		
BC-05	3865	1260	4.2	12.59	8820	72.4	1016	11.4	4.07	13		
BC-06	4105	1860	6.6	12.59	8820	72.4	1016	11.4	10.17	16		
BC-07	4210	1310	4.8	15.21	8820	72.4	1016	10.0	4.07	14		
BC-08	4735	1960	8.2	17.83	8820	72.4	1016	8.7	10.17	18		
BC-09	4550	1360	5.4	17.83	8820	72.4	1016	8.7	4.07	15		
BC-10	4890	1610	7.0	20.45	8820	75.0	1016	4.8	5.59	17		
BC-11	4860	2365	10.1	17.83	8820	72.4	1016	8.7	14.23	20		
BC-12	5155	2420	11.1	20.45	8820	72.4	1016	7.4	14.23	21		
BC-13	5215	1670	7.7	23.07	8820	75.0	1016	3.5	5.59	18		
BC-14	5360	2075	9.9	23.07	8820	72.4	1016	6.1	10.17	20		
BC-15	5320	1440	6.6	23.57	8820	69.7	1016	8.5	4.19	17		
BC-16	5445	2480	12.1	23.07	8820	72.4	1016	6.1	14.23	22		
BC-17	5655	1505	7.3	26.19	8820	69.7	1016	7.2	4.19	18		
BC-18	5955	2645	14.2	27.66	8820	72.4	1016	3.8	14.73	24		
BC-19	5895	1595	8.2	28.31	8820	72.4	1016	3.5	4.07	19		
BC-20	6165	1900	10.3	30.28	8820	72.4	1016	2.5	6.60	21		
BC-21	6235	2715	15.4	30.28	8820	72.4	1016	2.5	14.73	25		
BC-22	6320	1645	8.9	31.43	8820	69.7	1016	4.6	4.19	20		
BC-23	6480	1975	11.3	32.90	8820	72.4	1016	1.2	6.60	22		
BC-24	6495	2380	13.9	32.90	8820	72.4	1016	1.2	10.67	24		
BC-25	6645	1720	9.8	34.05	8820	69.7	1016	3.3	4.19	21		
BC-26	6970	1795	10.7	36.67	8820	69.7	1016	2.0	4.19	22		
BC-27	7000	2200	13.5	36.67	8820	69.7	1016	2.0	8.25	24		
BC-28	7025	2610	16.4	36.67	8820	69.7	1016	2.0	12.32	26		
BC-29	7290	1875	11.6	39.29	8820	69.7	1016	0.7	4.19	23		
BC-30	7300	2285	14.6	39.29	8820	69.7	1016	0.7	8.25	25		
BC-31	7310	2690	17.6	39.29	8820	69.7	1016	0.7	12.32	27		
BC-32	7315	3095	20.5	39.29	8820	69.7	1016	0.7	16.38	29		
BC-33	7405	1680	10.2	39.29	8820	59.0	1016	11.4	4.19	22		
BC-34	7800	1965	12.7	41.91	8820	59.0	1016	10.1	6.22	24		
BC-35	7945	2370	15.9	41.91	8820	59.0	1016	10.1	10.29	26		
BC-36	8575	1920	13.9	36.45	11430	69.7	1016	2.1	4.19	26		
BC-37	8605	2325	17.4	36.45	11430	69.7	1016	2.1	8.25	28		
BC-38	8635	2735	20.9	36.45	11430	69.7	1016	2.1	12.32	30		
BC-39	9145	1940	14.6	39.48	11430	64.3	1016	5.9	4.19	27		
BC-40	9225	2345	18.4	39.48	11430	64.3	1016	5.9	8.25	29		
BC-41	9310	2750	22.1	39.48	11430	64.3	1016	5.9	12.32	31		



- NOTES:**
1. ALL DIMENSIONS ARE TO INSIDE CREST OF CORRUGATION.
 2. 114mm EDGE DISTANCE OF STEEL IS INCLUDED INSIDE ARC LENGTH AND ANGLE.
 3. 'S' = 406.4mm

REV. No.	DATE	REVISION DESCRIPTION	DRAWN	DRAFT CHK	DES. ENG.	LEAD. ENG.	DRAWING No.	REFERENCE DRAWINGS	SCALE	UNIT
0	20 JAN 16	INITIAL ISSUE	BF	BF					A3	M.T.S
1										
2										
3										
4										

roundel
CIVIL PRODUCTS PTY LTD

Flynn Central Business Park
9 Werriam Street
Norrandaup
Western Australia
© Copyright
This drawing is the property
of Roundel Civil Products. It shall not be
copied without permission.

BCMS BOX CULVERTS
CORRUGATION B381 x 140
STANDARD GEOMETRY RANGE
TYPE BC-01 TO BC-41

DWG No. RDL-STD-BC-001

REV 0