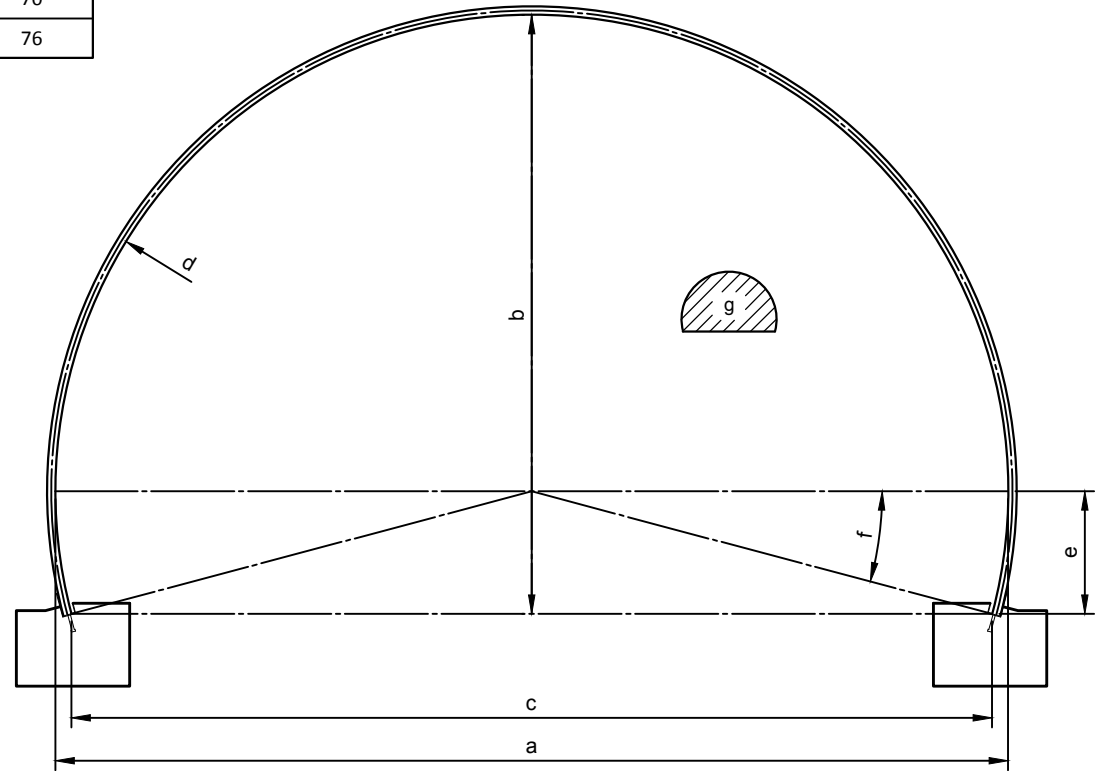
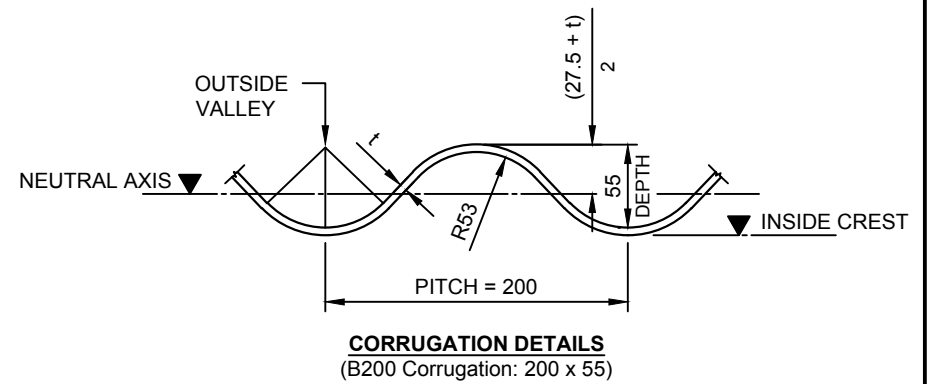


Structure Type	a	b	c	d	e	f	g	h
Maximum Inside Span (mm)	Inside Rise (mm)	Bottom Inside Span (mm)	Inside Radius (mm)	Height to Max Span (mm)	BTM Angle (°)	End Area (m ²)	Total N	
200-HA22	2850	1778	2761	1425	353	14.34	4.19	22
200-HA27	3500	2179	3393	1750	429	14.20	6.30	27
200-HA32	4150	2580	4025	2075	505	14.10	8.84	32
200-HA36	4650	2907	4502	2325	582	14.48	11.17	36
200-HA40	5150	3233	4979	2575	658	14.79	13.77	40
200-HA44	5650	3559	5456	2825	734	15.05	16.63	44
200-HA49	6300	3960	6088	3150	810	14.90	20.63	49
200-HA54	6950	4361	6720	3475	886	14.78	25.06	54
200-HA59	7600	4763	7352	3800	963	14.67	29.92	59
200-HA64	8250	5164	7984	4125	1039	14.59	35.21	64
200-HA70	9000	5653	8700	4500	1153	14.85	42.07	70
200-HA76	9750	6142	9415	4875	1267	15.07	49.55	76



NOTES:

1. All dimensions are to inside crest of corrugation.
2. 60mm edge distance of steel is included inside arc length and angle.
3. 1N = 235mm (i.e. Structure Type 200-HA22 = 22N Periphery)
4. Other sizes are available upon request.

5							
4							
3							
2							
1							
0	30 NOV 16	INITIAL ISSUE	BF	BF			
Rev	Date	Revision Description	Drawn	Draft Chk	Des Eng	Lead Eng	

A4 Scale:
N.T.S.
© Copyright
This drawing is the property of
Roundel Civil Products. It shall
not be copied without permission

roundel
CIVIL PRODUCTS PTY LTD

Flynn Central Business Park
9 Warman Street
Neerabup
Western Australia
Tel: (08) 9404 5391,
(07) 4789 6700
or 1800 184 746
www.roundel.com.au

MULTI-PLATE HORSESHOE ARCHES
B200 CORRUGATION - 200mm x 55mm
STANDARD GEOMETRY RANGE

Drg No. **RDL-STD-B200-HA-01** 0